

4

3

2

1

THIS DRAWING IS UNPUBLISHED. RELEASED FOR PUBLICATION 2005
 © COPYRIGHT 2005 BY TYCO ELECTRONICS CORPORATION. ALL RIGHTS RESERVED.

LOC	DIST	REVISIONS				
P	LTR	DESCRIPTION	DATE	DWN	APVD	
A1	-	P	NEW CAD DRAWING CREATED	25MAR2008	Abr	Goep

D

D

C

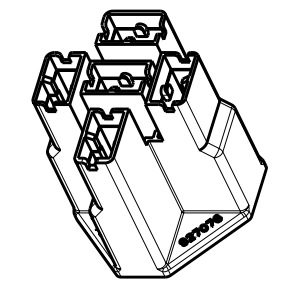
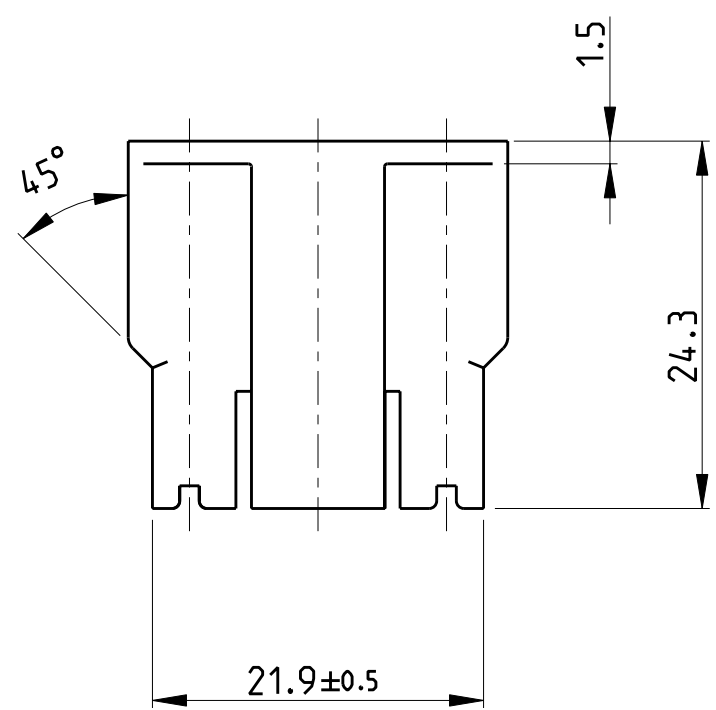
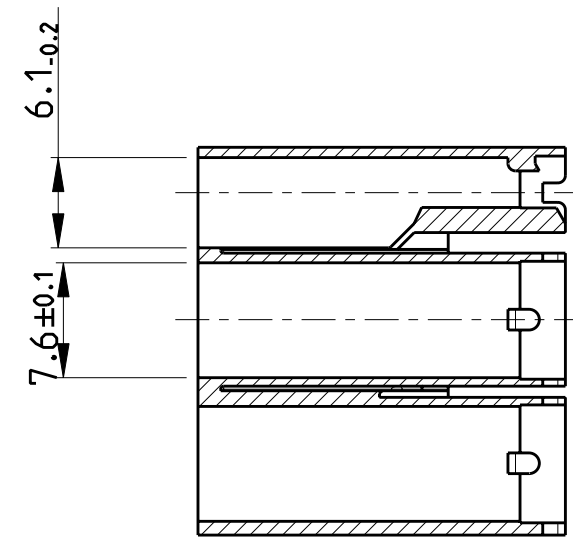
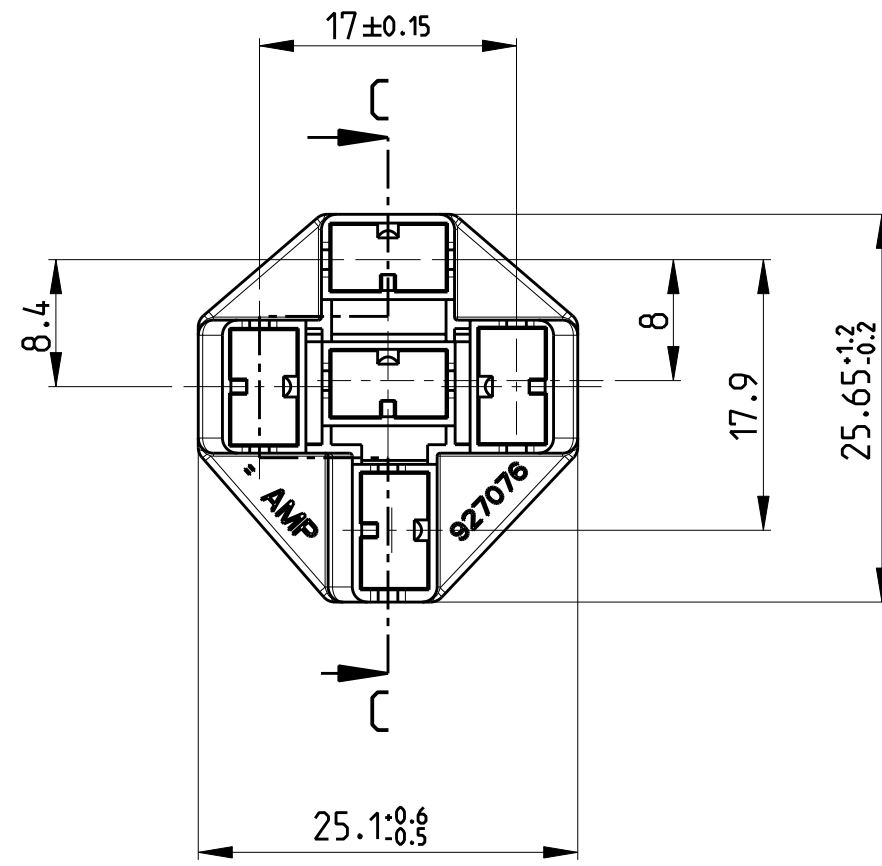
C

B

B

A

A



1:1

PA 6.6	BLACK	926526-1	P
MATERIAL	COLOUR	PART NUMBER	REV

THIS DRAWING IS A CONTROLLED DOCUMENT FOR TYCO ELECTRONICS CORPORATION. IT IS SUBJECT TO CHANGE AND THE CONTROLLING ENGINEERING ORGANIZATION SHOULD BE CONTACTED FOR THE LATEST REVISION.		DWN Abraham.G. 25MAR2008	Tyco Electronics tyco Electronics AMP GmbH 64625 Bensheim (Germany)	
DIMENSIONS: mm		CHK Goeppl.C. 26MAR2008	NAME 5 POS.POS.-LOCK HOUSING (RELAY) 5 pol. Pos.-Lock Gehaeuse (Relais)	
TOLERANCES UNLESS OTHERWISE SPECIFIED: 0 PLC ±0.2 1 PLC ±0.2 2 PLC ±0.2 3 PLC ±0.2 4 PLC ±0.2 ANGLES ±1°30'		APVD -	PRODUCT SPEC 108-18112-1	
MATERIAL -		FINISH -	APPLICATION SPEC -	RESTRICTED TO -
		WEIGHT 3.3 g	SIZE A3	CAGE CODE 00779
		DRAWING NO C=926526		SCALE 2:1
		CUSTOMER DRAWING		SHEET 1 OF 1
				REV P